

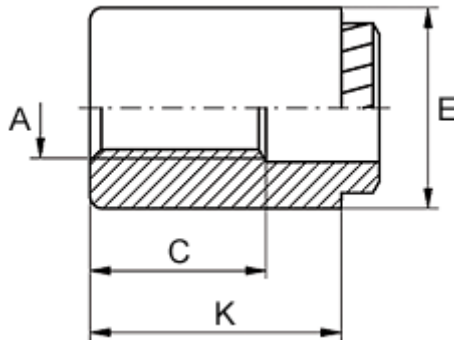
# Data Sheet



Article number: 12513600025500  
Description: KLEE-coil 513 600 025.500  
M2,5 Stainless 1.4305

## Measures

---



Female thread A	= M2,5
Height K	= 13
Hole diameter +0.1	= 4.2
Min distance to edge	= 2.4
Min material thickness	= 1.5
Outer diameter E	= 6
Thread length	= 9